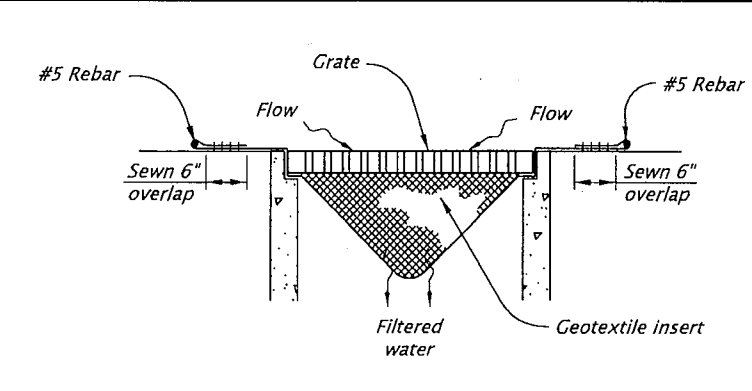
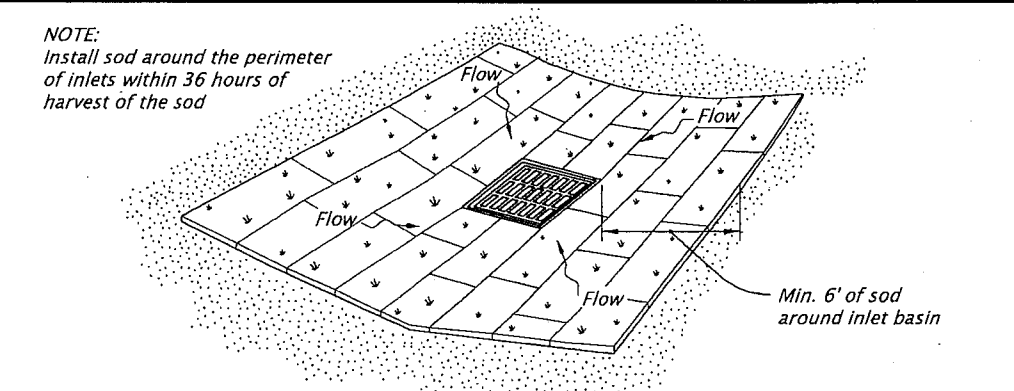


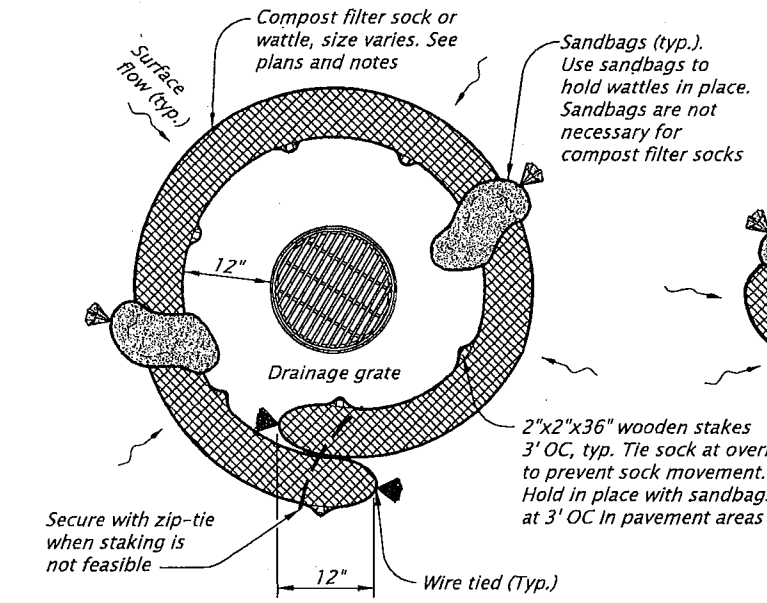
GEOTEXTILE/WIRE MESH/AGGREGATE - TYPE 2
NOT TO SCALE



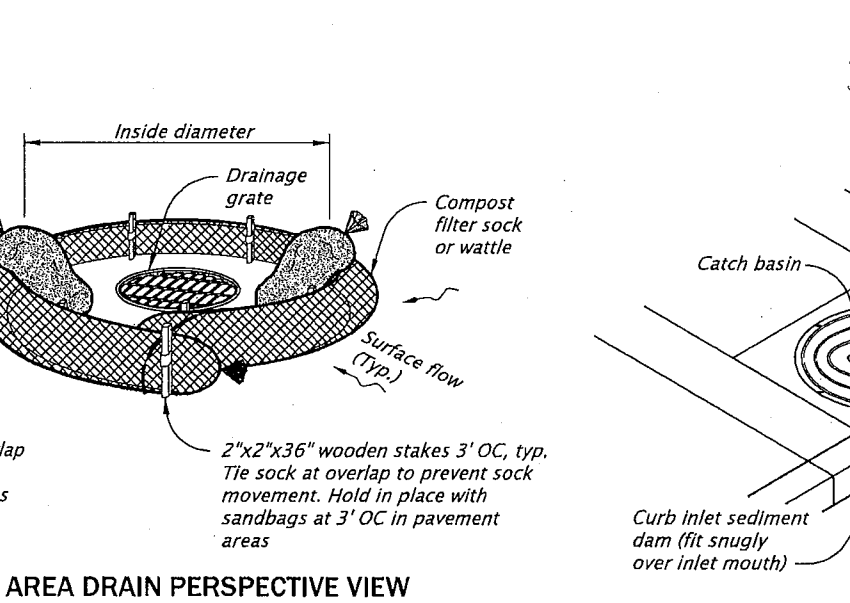
PREFABRICATED FILTER INSERT - TYPE 3
NOT TO SCALE



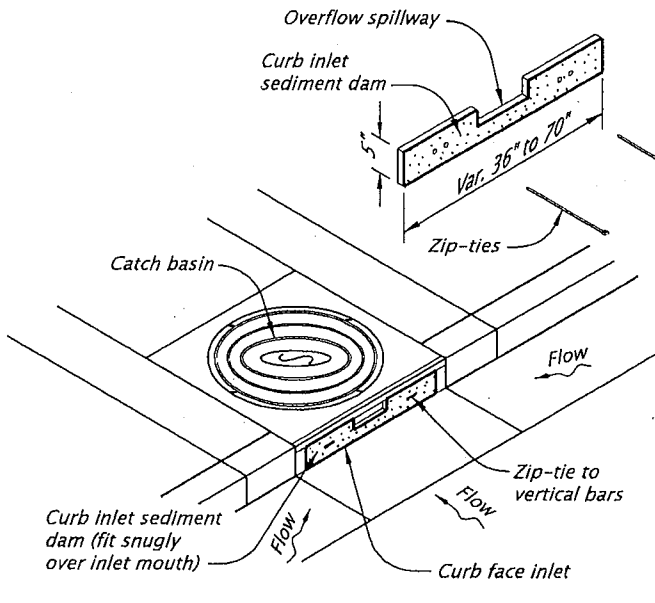
SOD PROTECTION - TYPE 6
NOT TO SCALE



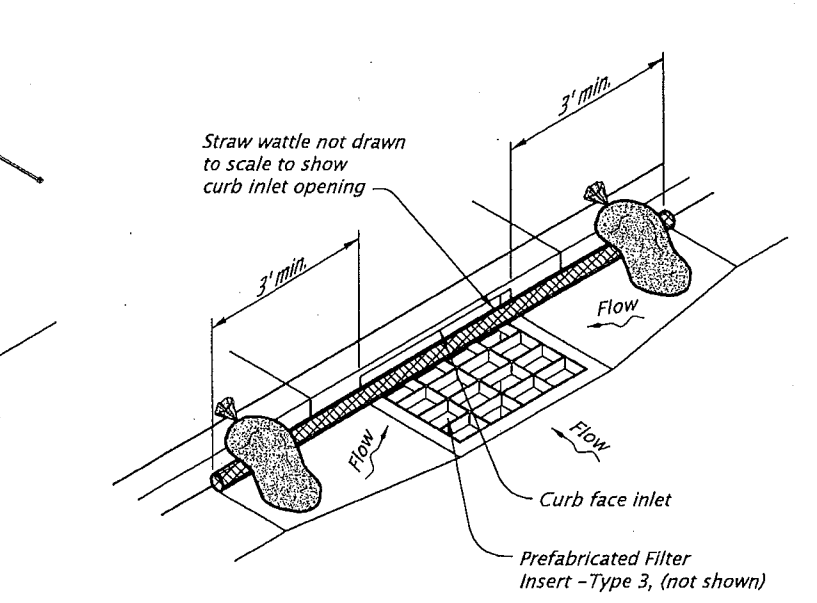
AREA DRAIN PERSPECTIVE VIEW



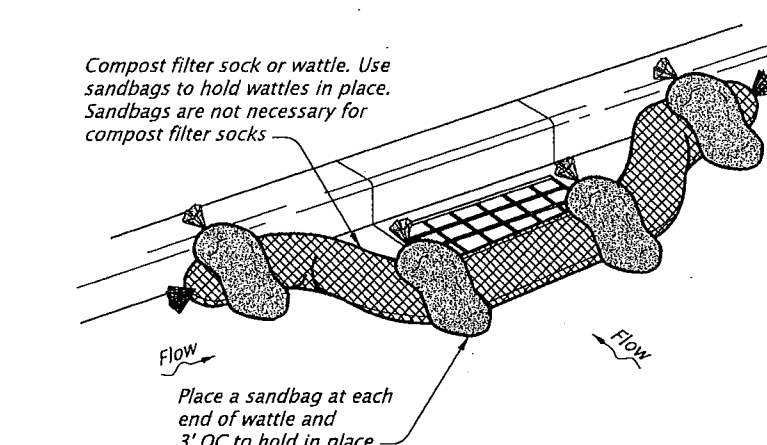
AREA DRAIN PLAN



CURB INLET SEDIMENT DAM - TYPE 10
NOT TO SCALE



WATTLE BARRIER WITH FILTER INSERT - TYPE 11
NOT TO SCALE



COMPOST FILTER SOCK OR WATTLE - TYPE 7
NOT TO SCALE

NOTES:
Type 2 - Geotextile/wire mesh/aggregate
Place the wire mesh over the grate.
Place sediment fence geotextile over the wire mesh and perimeter area around structure.
Install aggregate over the geotextile fabric.

Type 3 - Prefabricated filter inserts
Install prefabricated filter inserts according to the plans, special provisions, and manufacturer recommendations.
Prefabricated inserts with provisions for overflow are allowed only when accompanied by additional BMP's to prevent the potential of sediments entering project storm systems.
Field fabricated Inserts are not allowed.

Type 7 - Compost filter sock
Drive 2"x2" wood stakes a minimum of 6" into ground and flush with the top of the sock.
Overlap ends of sock per manufacturers recommendations (12" min., 36" max.).
Use 8" to 12" dia sock on curbside in traffic areas.

(Type 7 cont.)
Use 12" to 18" dia sock in non-traffic areas or areas where the larger socks can be used safely.
Use synthetic mesh socks for temporary installations.

Type 10 - Curb inlet sediment dam
Fit curb inlet sediment dam snugly into inlet mouth. Curb inlet sediment dam is required for use with Inlet filter insert where at-grade inlet grate and curb inlet are combined at a catch basin.

Type 11 - Wattle barrier with filter insert
Install prefabricated filter insert per Type 3 detail.
Install wattles over opening and 36" to each side of opening tight against curb. Adjust wattle to force storm water to flow through filter insert or wattle prior to leaving the site.
Adjust, replace or modify the Inlet protection as needed to prevent sediment laden water from entering the catch basin.

CALC. BOOK NO. 6402, 6406, 6407	SDR DATE July, 2020
NOTE: All material and workmanship shall be in accordance with the current Oregon Standard Specifications	
OREGON STANDARD DRAWINGS	
INLET PROTECTION	
TYPE 2, 3, 6, 7, 10 AND 11	
2021	
DATE	REVISION DESCRIPTION

The selection and use of this Standard Drawing, while designed in accordance with generally accepted engineering principles and practices, is the sole responsibility of the user and should not be used without consulting a Registered Professional Engineer.

RD1010